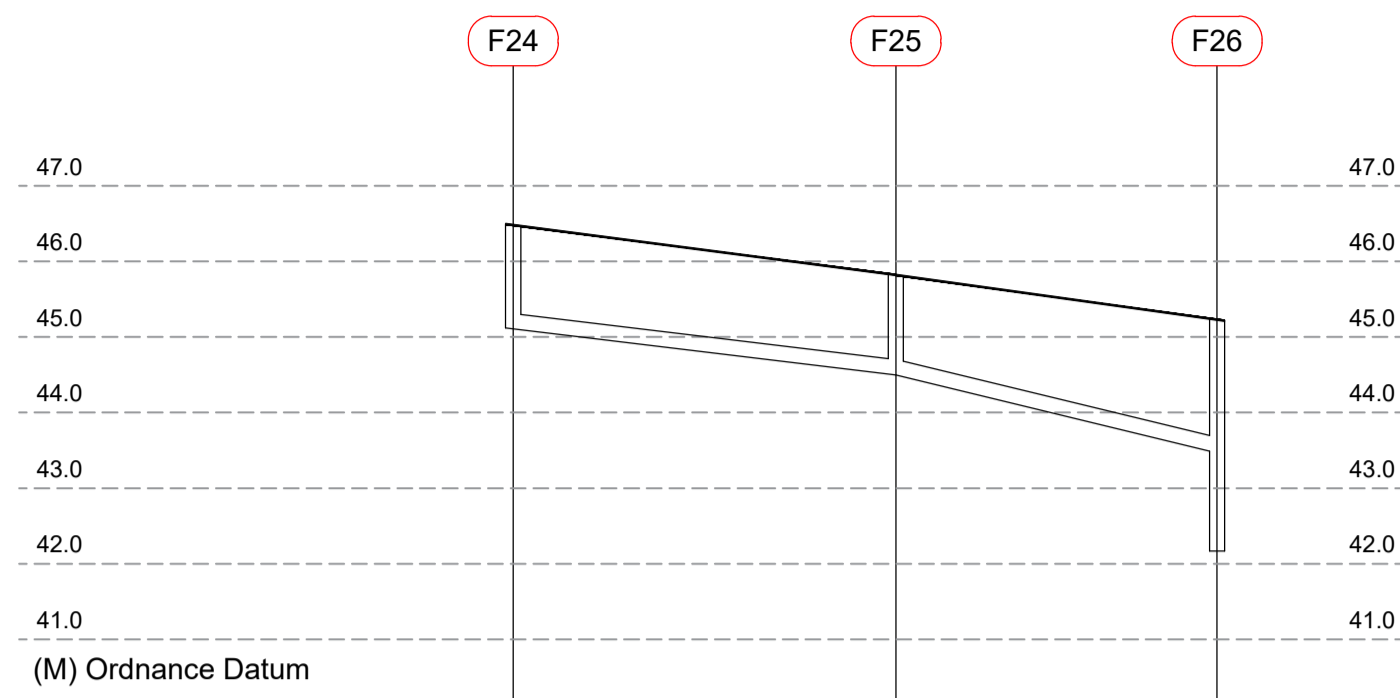


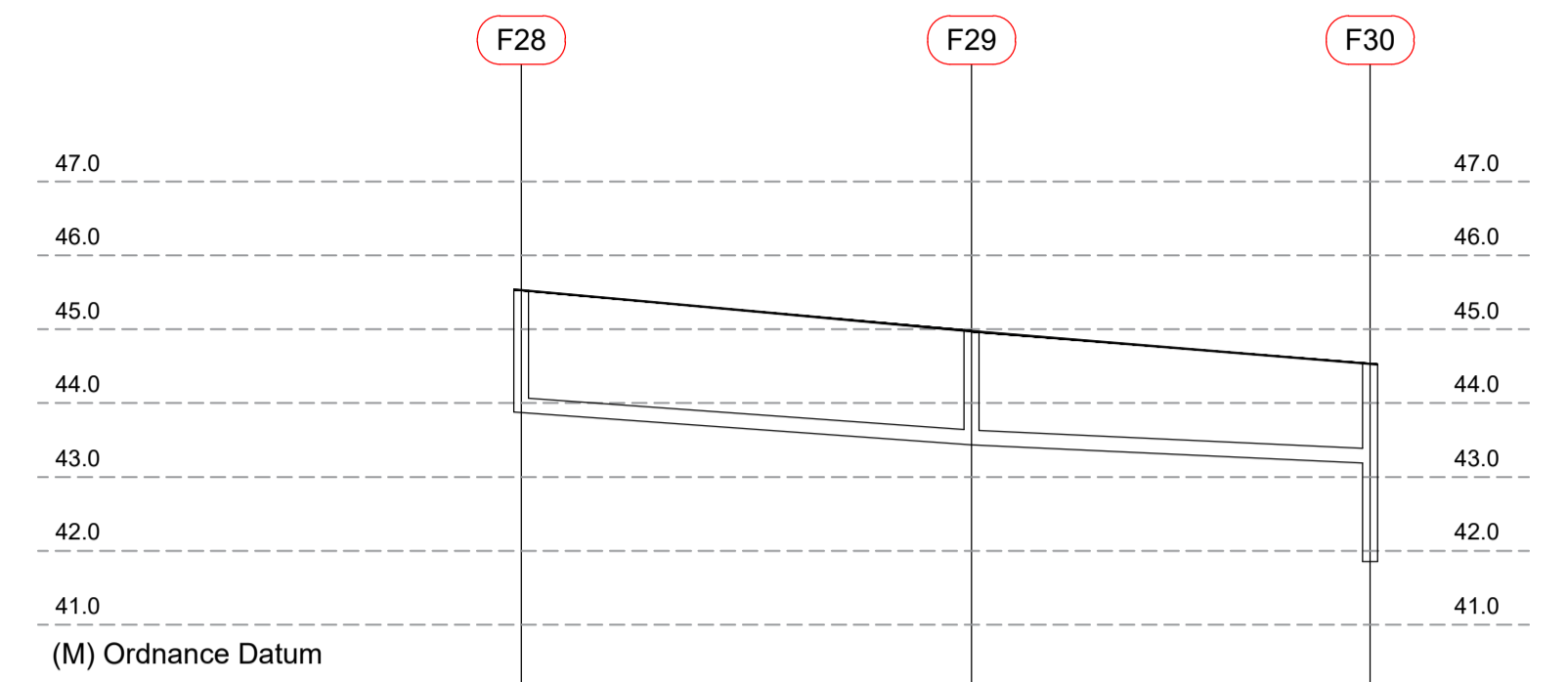
| | | | | |
|-----------------------------------|--------|--------|--------|--------|
| Diameter (mm) | 150 | 150 | 150 | 150 |
| Slope (1:X) | 36.0 | 28.5 | 50.0 | 100.0 |
| Cover Level (m) | 48.100 | 48.497 | 46.940 | 47.200 |
| Invert Level (m) | 47.850 | 47.000 | 45.200 | 44.700 |
| Pipe Length (m) | 23.642 | 51.376 | 24.942 | 7.070 |
| Concrete Surround Pipe Protection | No | No | No | No |

FOUL SEWER LONGSECTION F17 TO F21
HORIZONTAL SCALE 1:500
VERTICAL SCALE 1:100



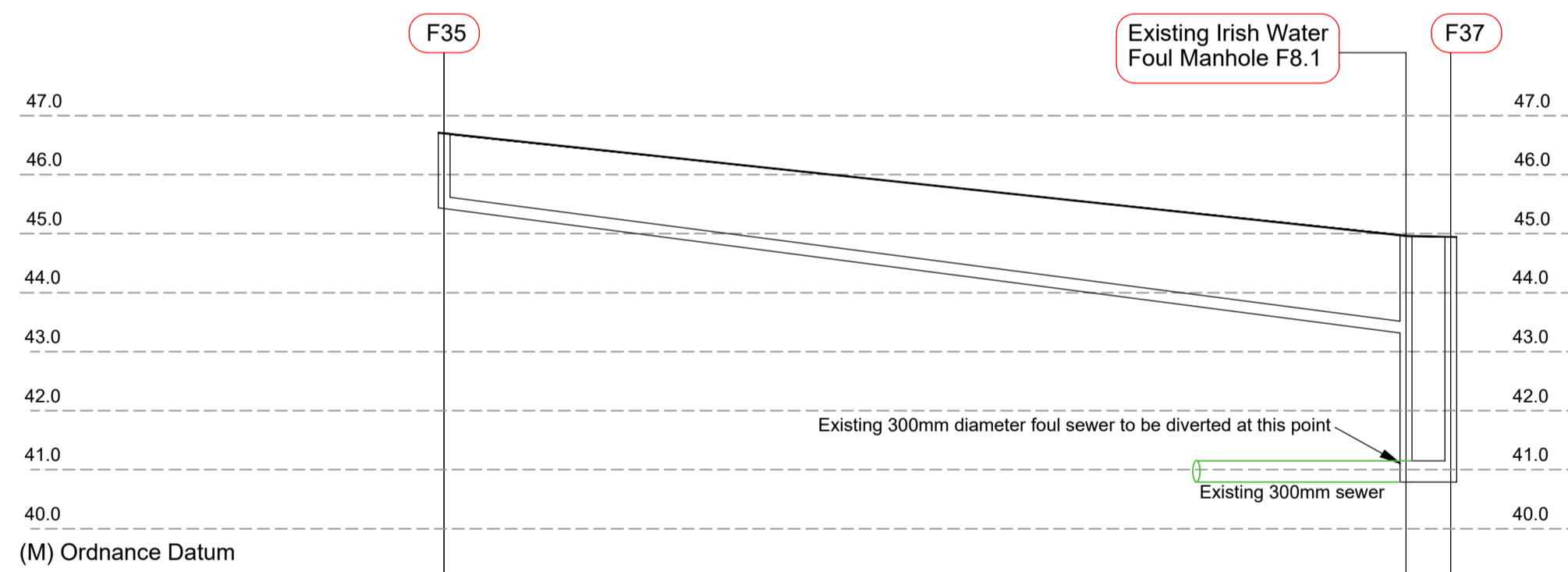
| | | |
|-----------------------------------|--------|--------|
| Diameter (mm) | 150 | 150 |
| Slope (1:X) | 40.0 | 28.0 |
| Cover Level (m) | 46.500 | 45.850 |
| Invert Level (m) | 45.100 | 44.480 |
| Pipe Length (m) | 25.309 | 21.240 |
| Concrete Surround Pipe Protection | No | No |

FOUL SEWER LONGSECTION F24 TO F26
HORIZONTAL SCALE 1:500
VERTICAL SCALE 1:100



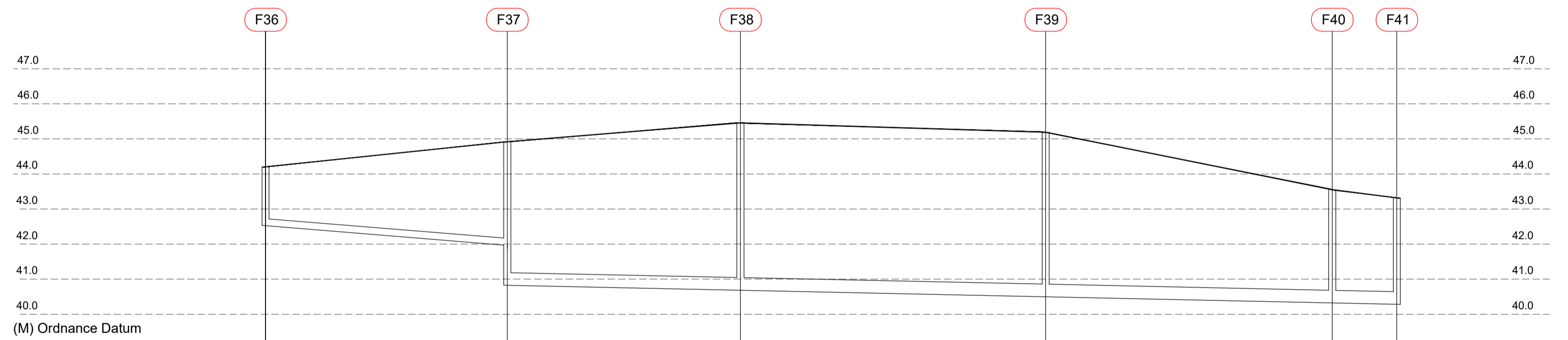
| | | |
|-----------------------------------|--------|--------|
| Diameter (mm) | 150 | 150 |
| Slope (1:X) | 60.0 | 90.0 |
| Cover Level (m) | 45.600 | 44.980 |
| Invert Level (m) | 43.920 | 43.410 |
| Pipe Length (m) | 30.459 | 26.968 |
| Concrete Surround Pipe Protection | No | No |

FOUL SEWER LONGSECTION F28 TO F30
HORIZONTAL SCALE 1:500
VERTICAL SCALE 1:100



| | | |
|-----------------------------------|--------|--------|
| Diameter (mm) | 150 | 300 |
| Slope (1:X) | 38.0 | 300.0 |
| Cover Level (m) | 46.850 | 44.980 |
| Invert Level (m) | 45.450 | 40.810 |
| Pipe Length (m) | 80.544 | 3.880 |
| Concrete Surround Pipe Protection | No | No |

FOUL SEWER LONGSECTION F35 TO F37
HORIZONTAL SCALE 1:500
VERTICAL SCALE 1:100



| | | | | | |
|-----------------------------------|--------|--------|--------|--------|--------|
| Diameter (mm) | 150 | 300 | 300 | 300 | 300 |
| Slope (1:X) | 60.0 | 300.0 | 300.0 | 300.0 | 300.0 |
| Cover Level (m) | 44.200 | 44.820 | 45.400 | 45.200 | 43.860 |
| Invert Level (m) | 42.550 | 41.810 | 40.700 | 40.554 | 40.417 |
| Pipe Length (m) | 34.515 | 33.270 | 43.570 | 40.900 | 9.216 |
| Concrete Surround Pipe Protection | No | No | No | No | No |

FOUL SEWER LONGSECTION F36 TO F41
HORIZONTAL SCALE 1:500
VERTICAL SCALE 1:100

PLANNING DRAWING.
NOT FOR CONSTRUCTION.
ALL LEVELS GIVEN ARE
RELATIVE TO ORDNANCE DATUM.
THIS DRAWING HAS BEEN ISSUED FOR INFORMATION
PURPOSES ONLY AND MUST NOT BE USED
FOR CONSTRUCTION UNDER ANY CIRCUMSTANCES

NOTES

- For setting out refer to Architect's drawings.
- This drawing to be read in conjunction with all other Architectural and Engineering drawings and all other relevant drawings and Specifications.
- DO NOT SCALE THIS DRAWING. Use figured dimensions only.
- No part of this document may be reproduced or transmitted in any form or stored in any retrieval system of any nature without the written permission as copyright holder except as agreed for use on the project for which the document was originally issued.
- Ordnance Survey Ireland Licence Number EN 0074021

| Rev. No. | Date | REVISION NOTE | Dwn. By | Chkd. By |
|----------|------------|---------------------|---------|----------|
| P1 | 22.01.2021 | CSI Licence Updated | JS | NB |

| | |
|-----------|--|
| Architect | Reddy Architecture + Urbanism |
| Project | Residential Development Clonattin, Gorey |
| Title | Proposed Foul Longsection Sheet 3 of 6 CLO-CSC-ZZ-XX-DR-C-0044 |
| Dwg. No. | |
| Date | May 2020 |
| Dwn. by | AB |
| Chkd. by | GL |
| Aprvd. by | NB |
| Scale | AS SHOWN |
| Revision | P1 |

CS Consulting Group
DUBLIN | LONDON | LIMERICK

Head Office
19-22 Dame Street, Dublin 2.
T: +353 (0)1 5480863 F: +353 (0)1 9011355
e: info@csconsulting.ie
w: www.csconsulting.ie

Quality Environment I.S. EN ISO 9001:2008
NSAI Certified Health & Safety I.S. EN ISO 14001:2004 I.S. EN ISO 50001:2011 OHSAS 18001:2007